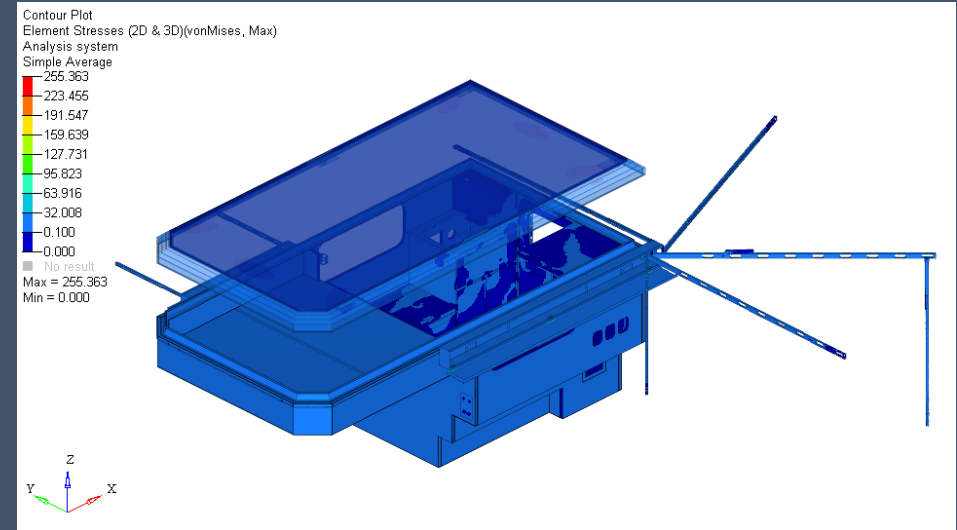
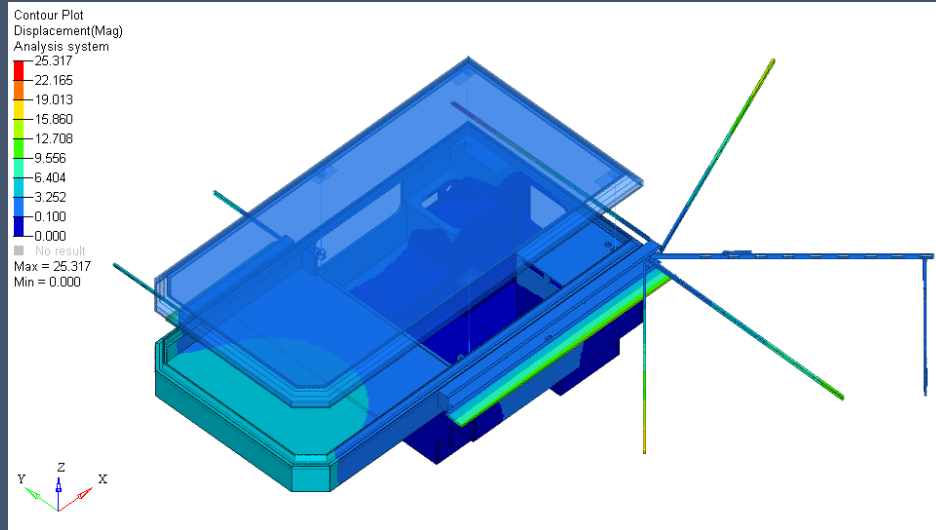


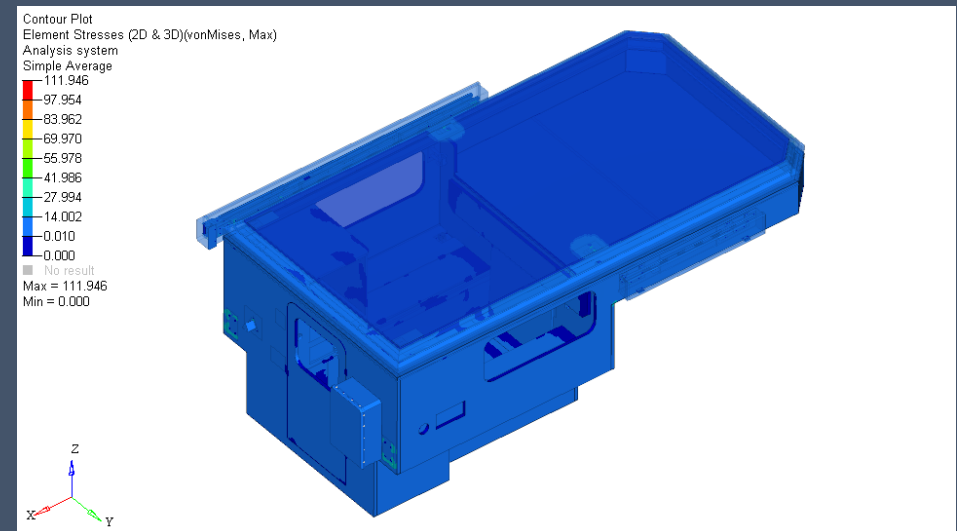
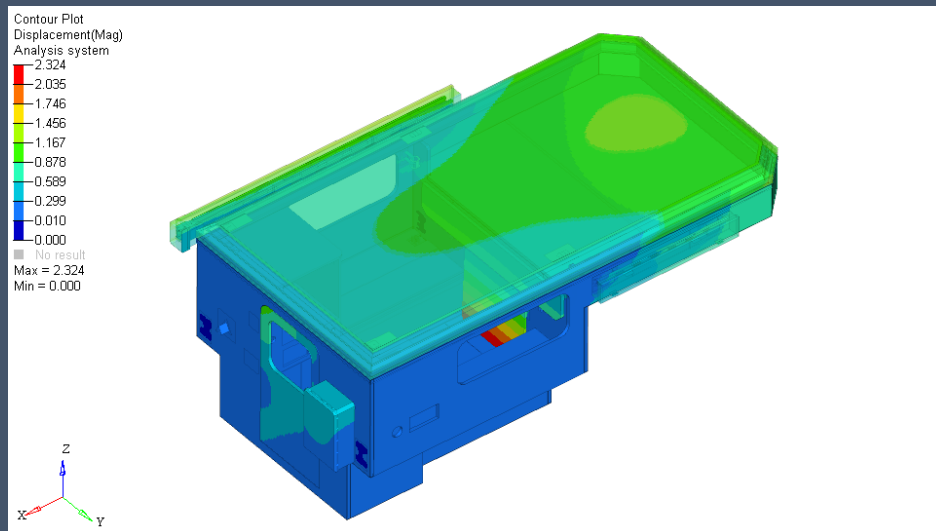
Truck Camper Computer Aided Engineering



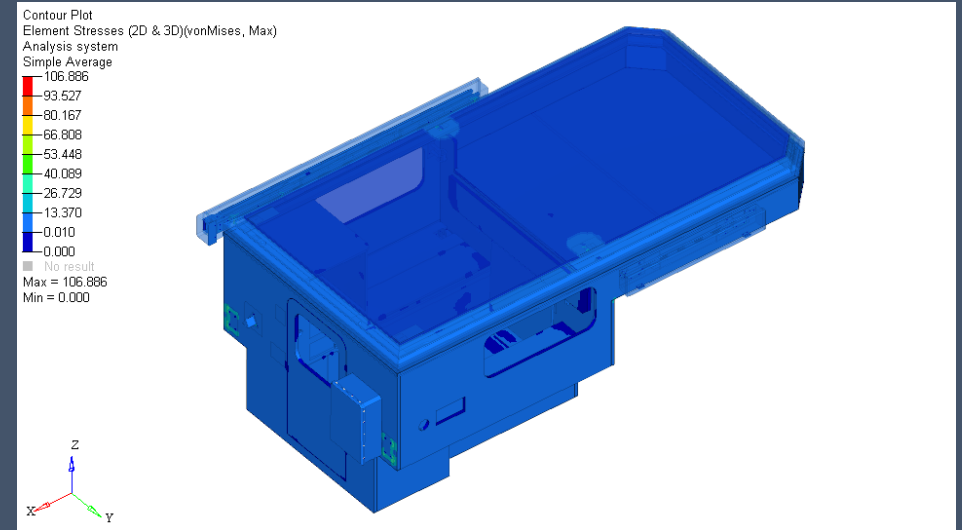
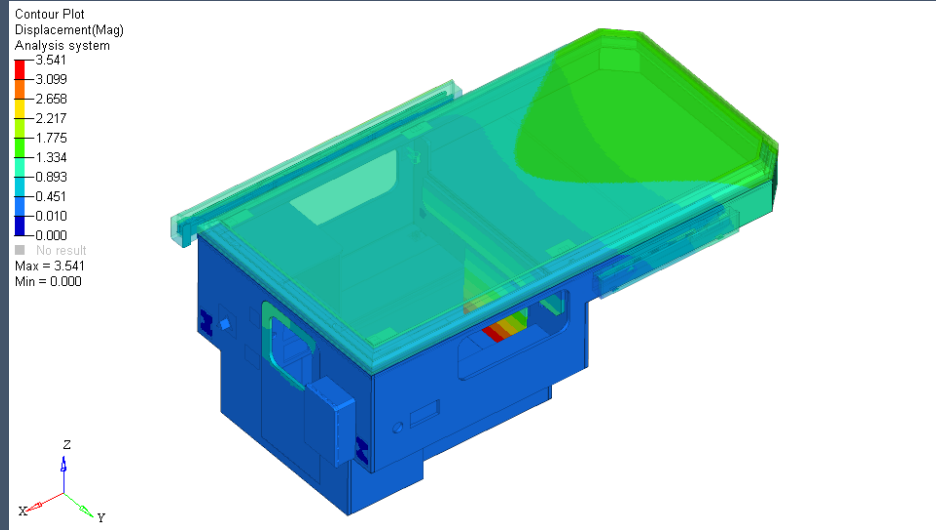
Unfolded situation



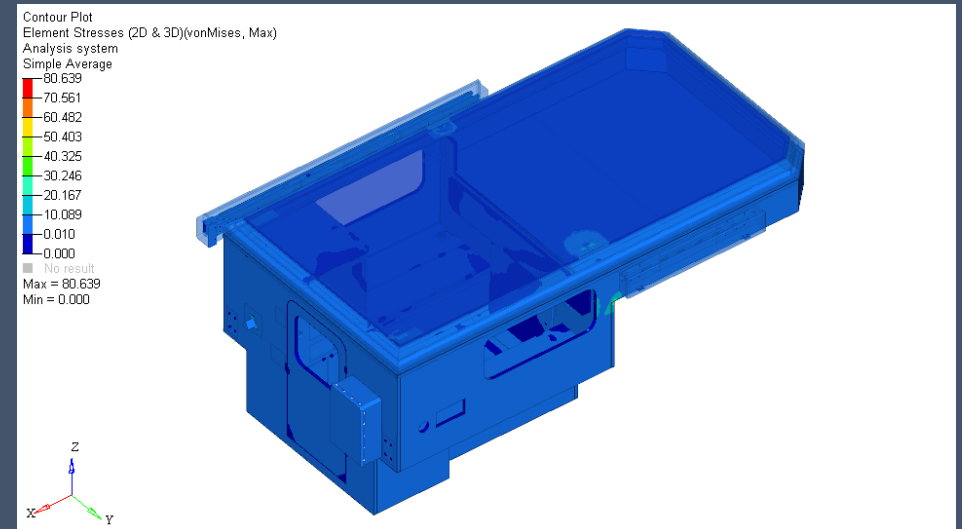
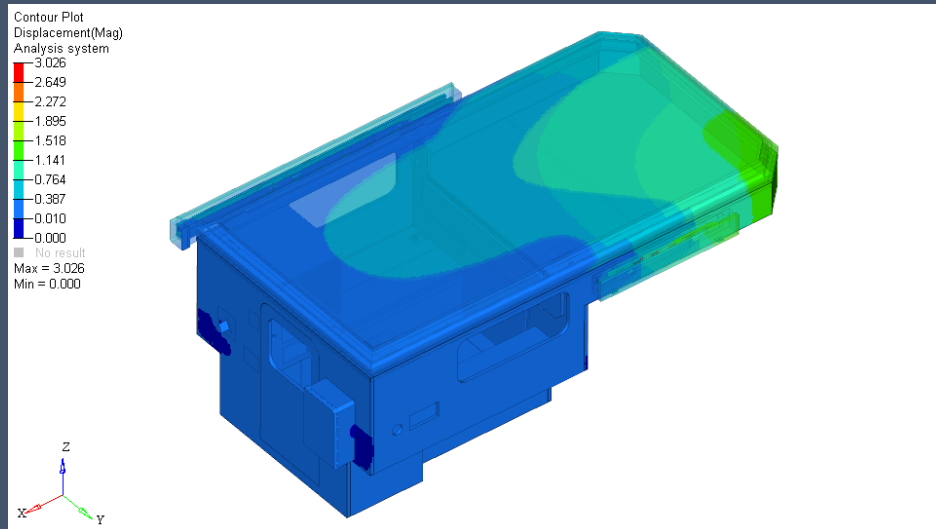
Forward accelerated situation



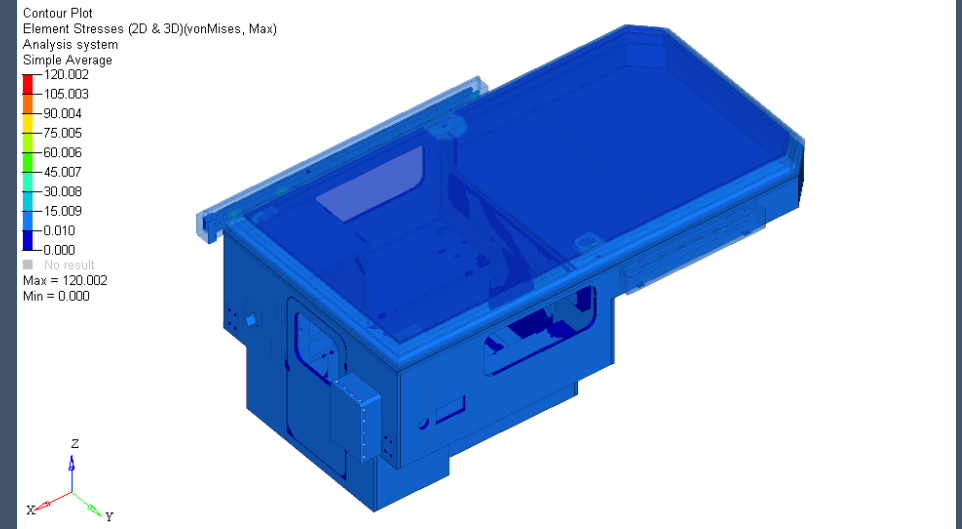
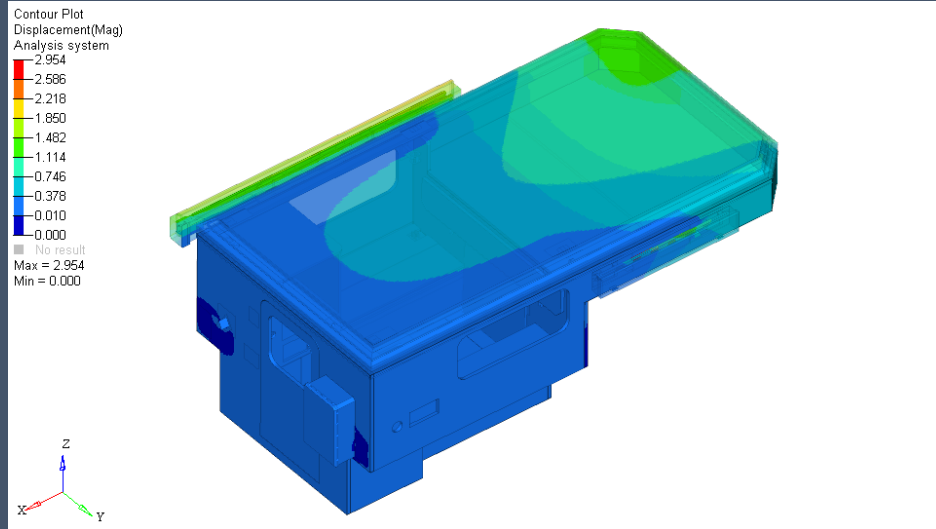
Emergency brake situation



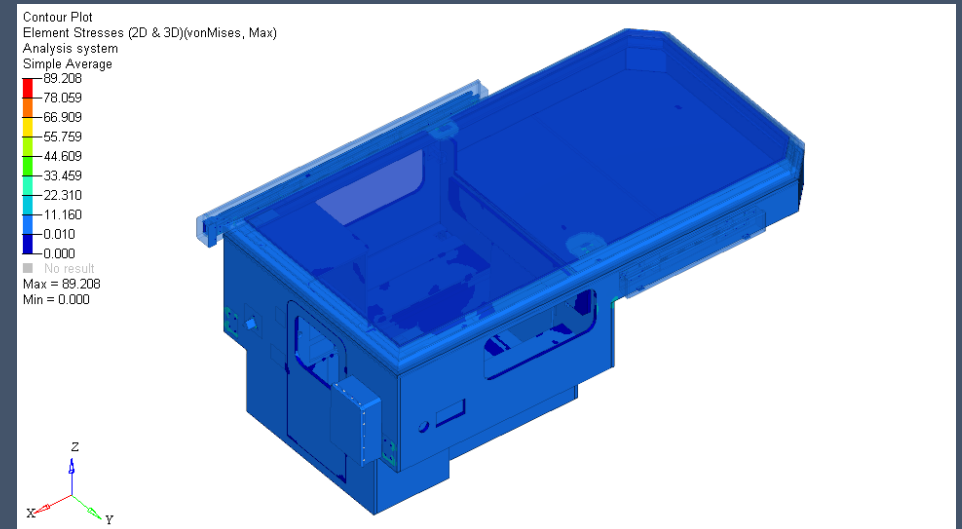
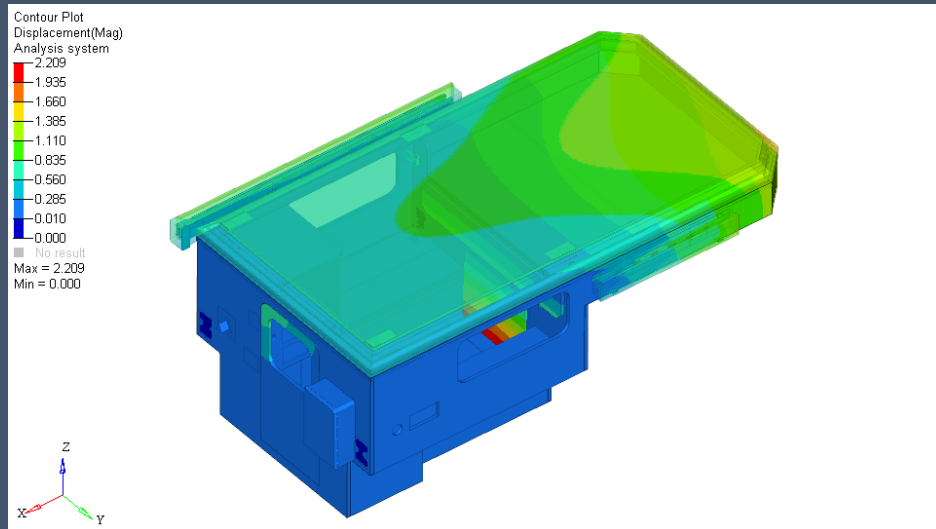
Left turn situation



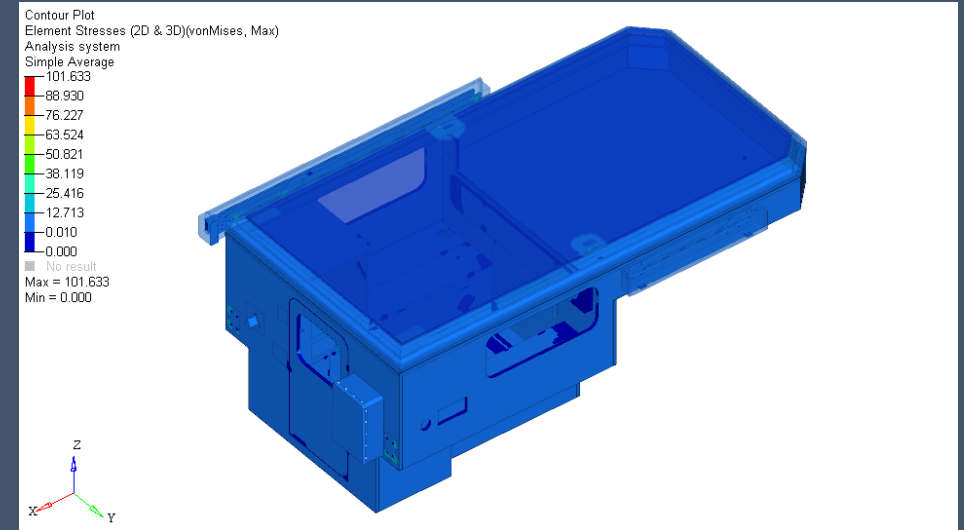
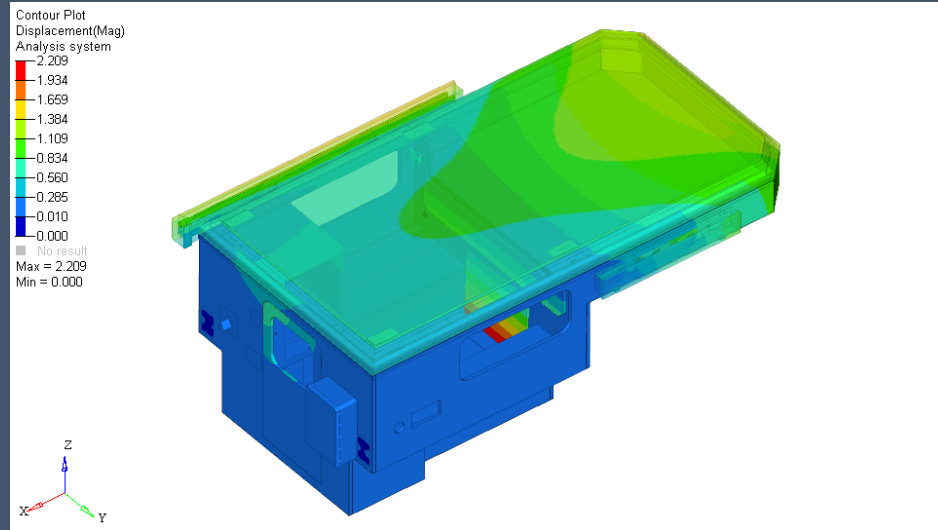
Right turn situation



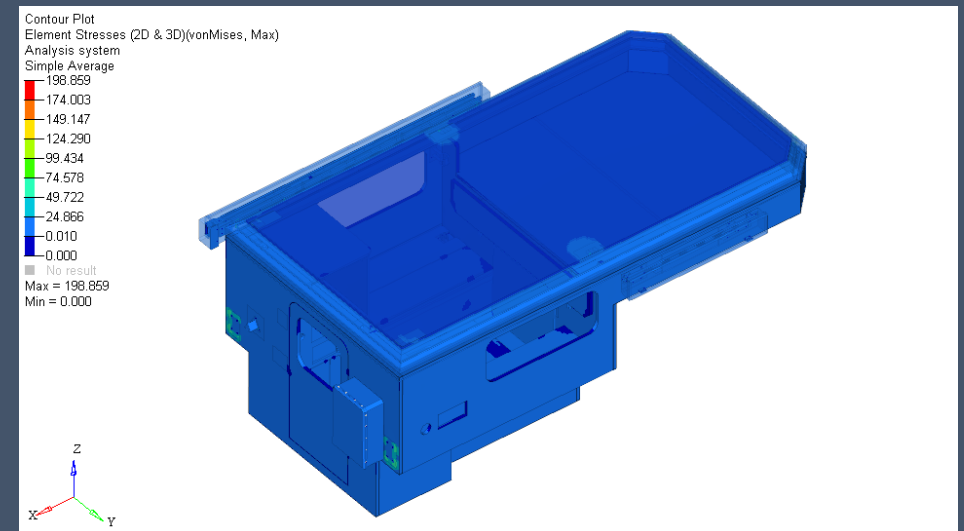
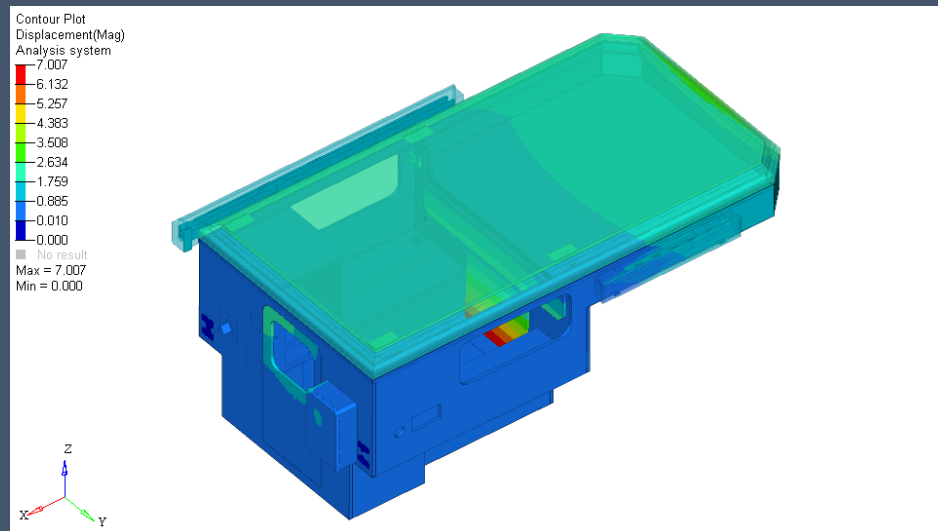
Brake + left turn



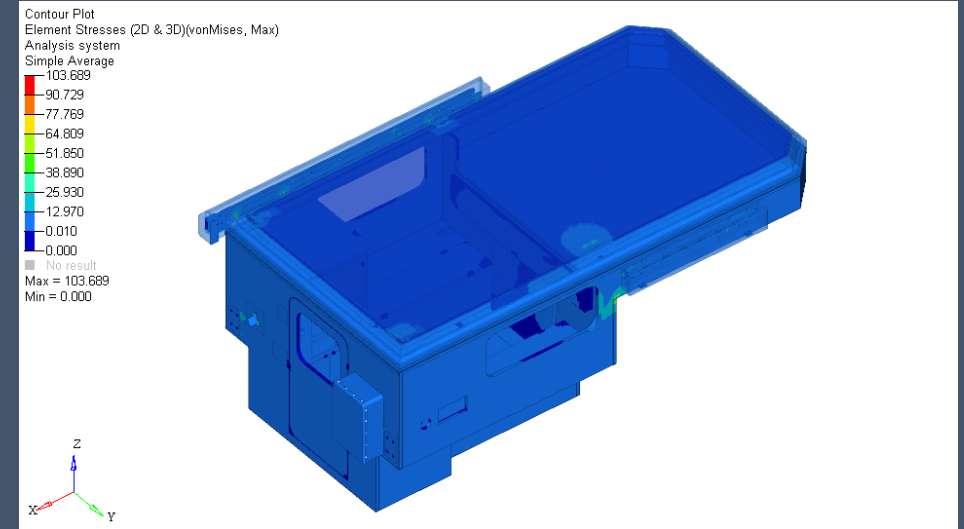
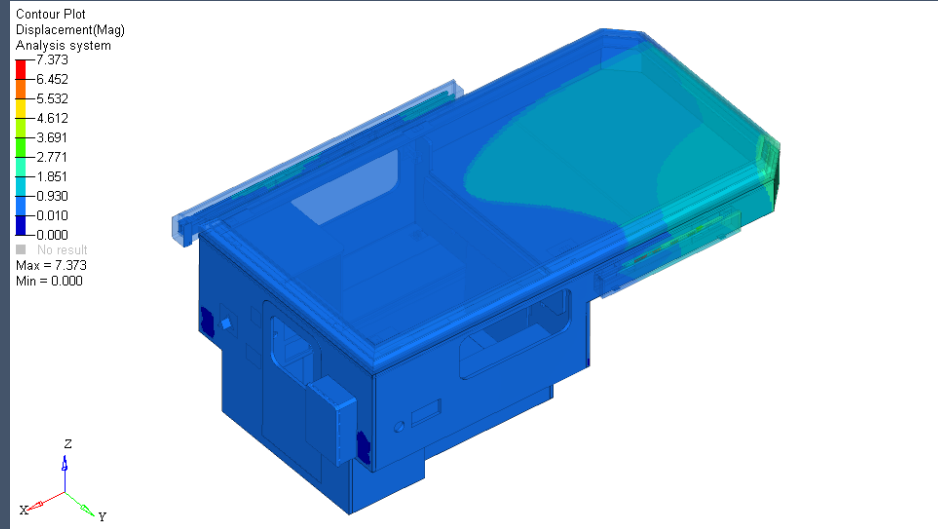
Brake + right turn



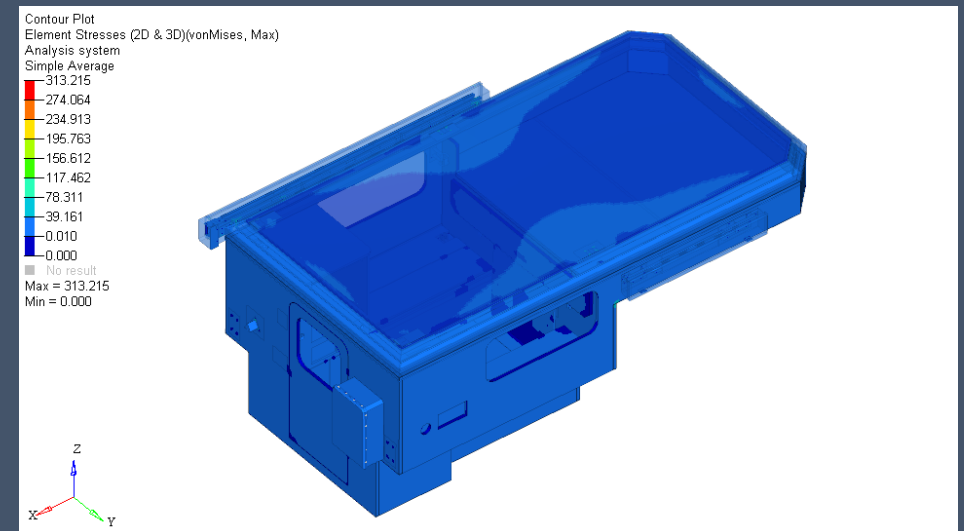
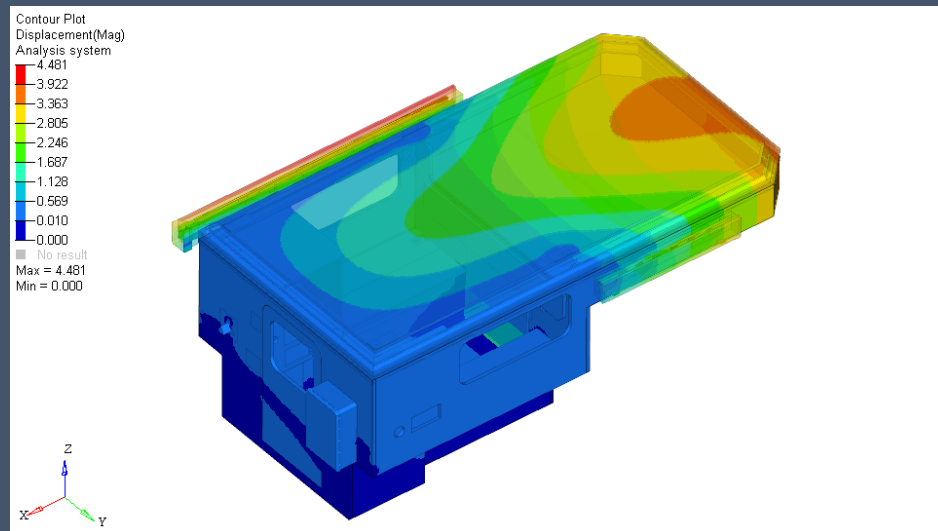
Frontal impact situation



Lateral impact situation

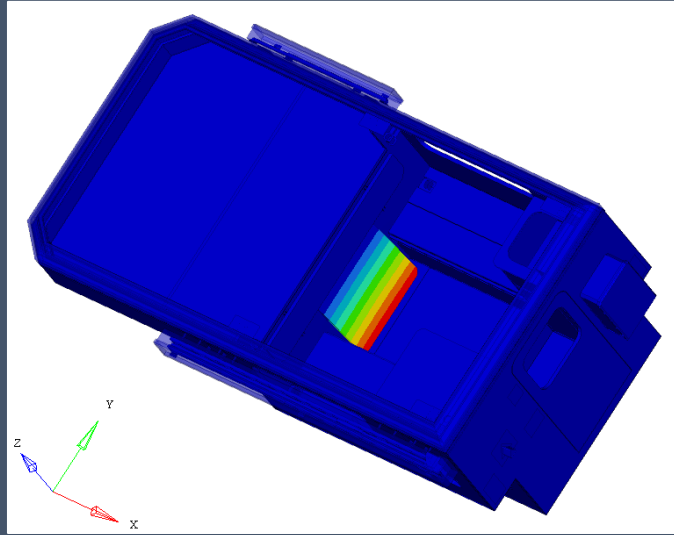


Vertical impact situation

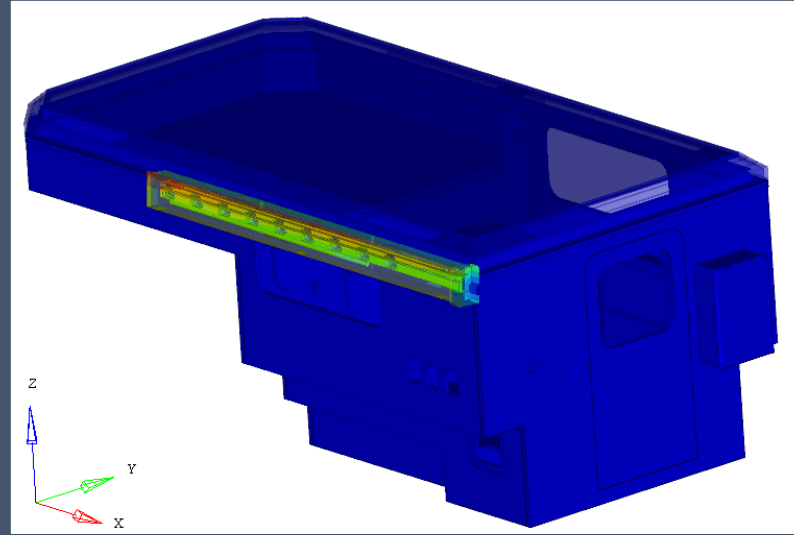


Modal Gif

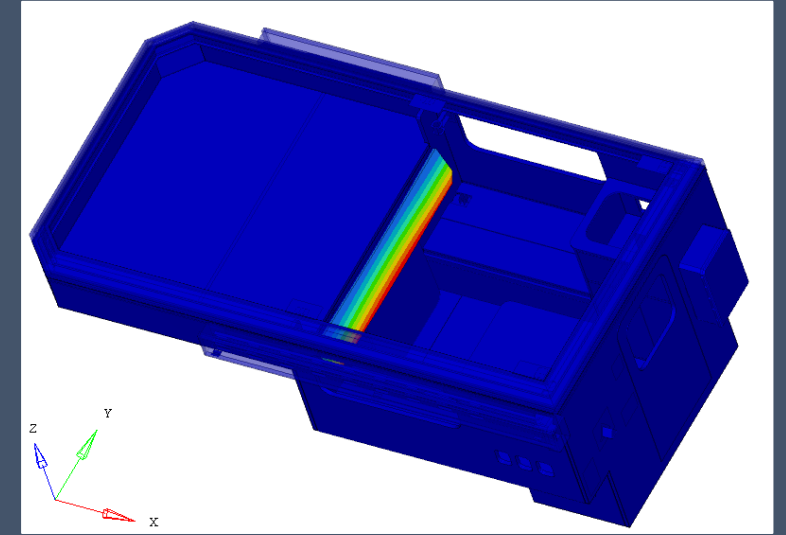
Desk rotating 12.8Hz



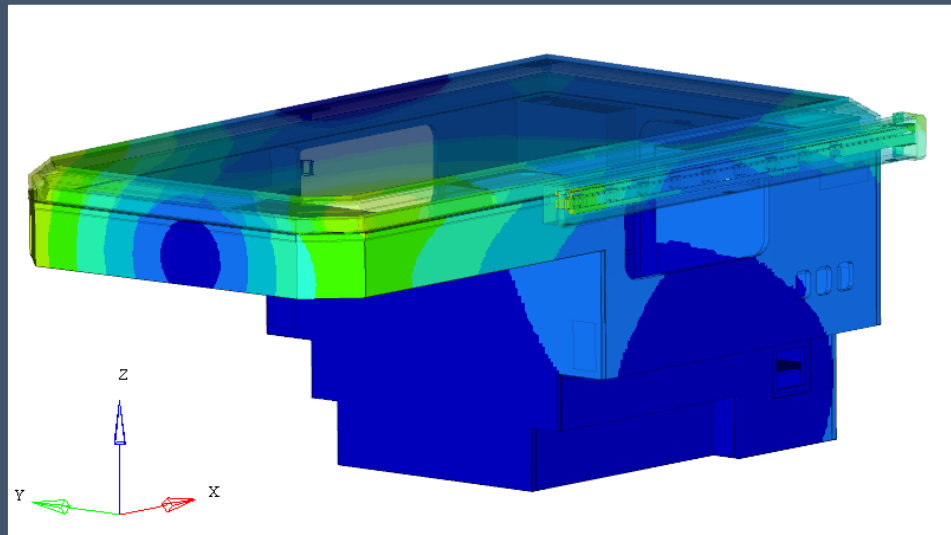
Sunshade rotating 17.3Hz



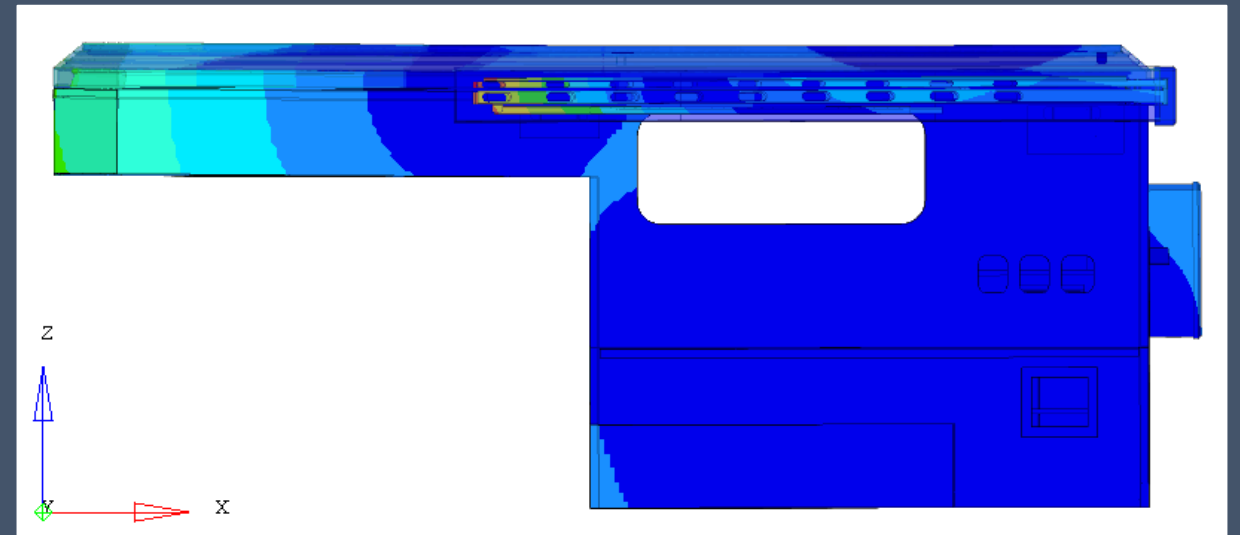
Extended bed rotating 24.4Hz



Front twisting 21.2Hz

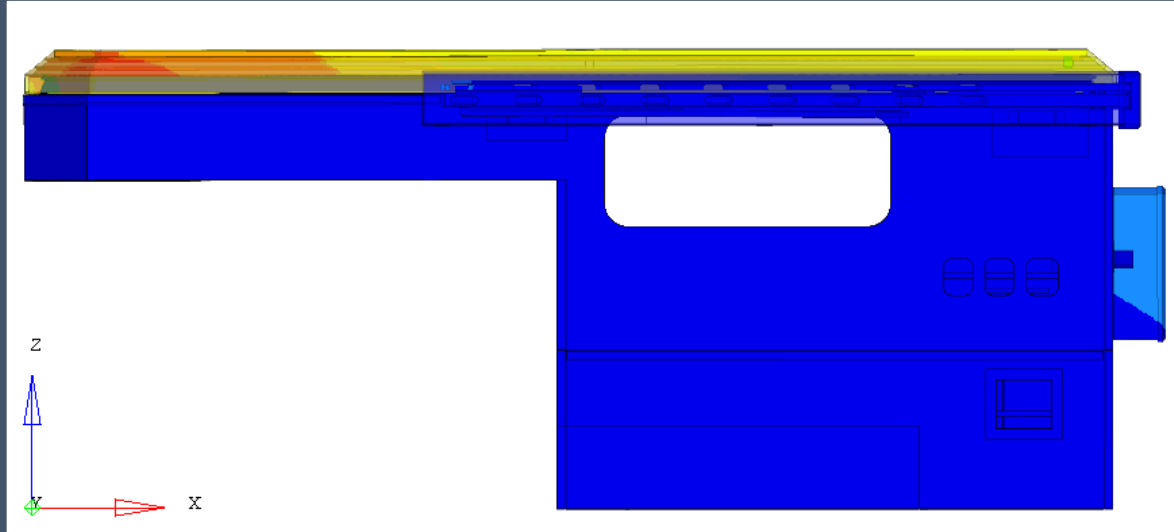


Front nodding 27.2Hz

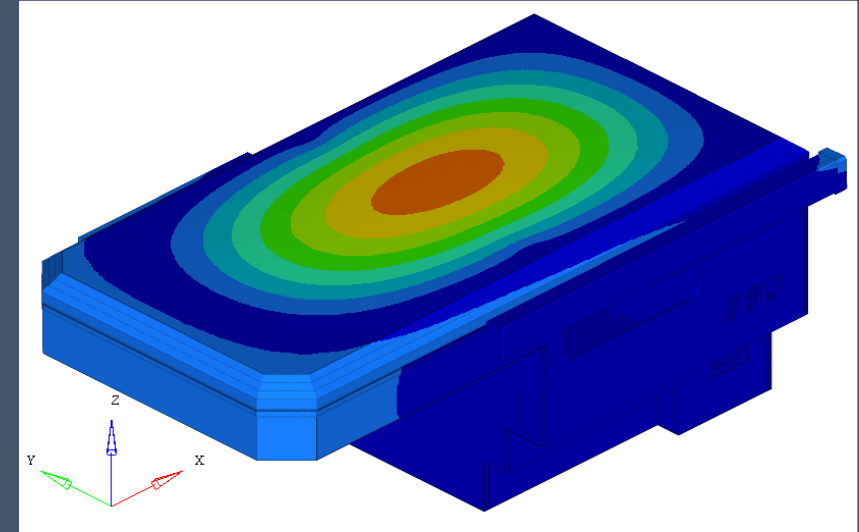


Modal Gif

Roof cover sliding 22.8Hz



Roof cover modal 25.8Hz



Contact Us

URL: <https://topolo-rv.com/>

Email: info@topolo-rv.com